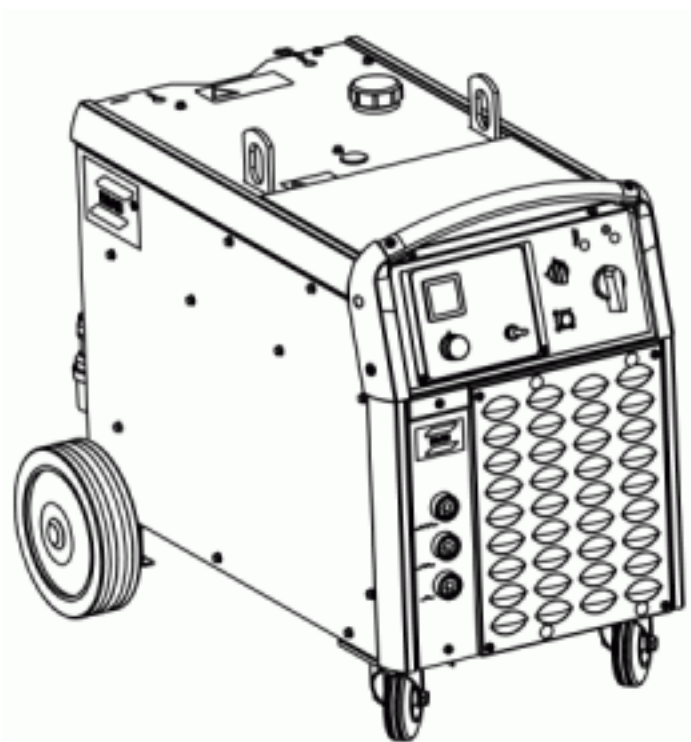


Spare parts list



Valid for serial no. 323, 507-xxx-xxxx

Ordering number

0349 304 990	ESABMig 630tw MAGMA	230/400-415/500V, 3~ 50Hz; 230/400-460/550V, 3~ 60Hz
0349 307 780	ESABMig 630t MAGMA	230/400-415/500V, 3~ 50Hz; 230/400-460/550V, 3~ 60H

Spare parts are to be ordered through the nearest ESAB agency. Kindly indicate type of unit, serial number, denominations and ordering numbers according to the spare parts list.

Maintenance and repair work should be performed by an experienced person, and electrical work only by a trained electrician. Use only recommended spare parts.

Rights reserved to alter specifications without notice.

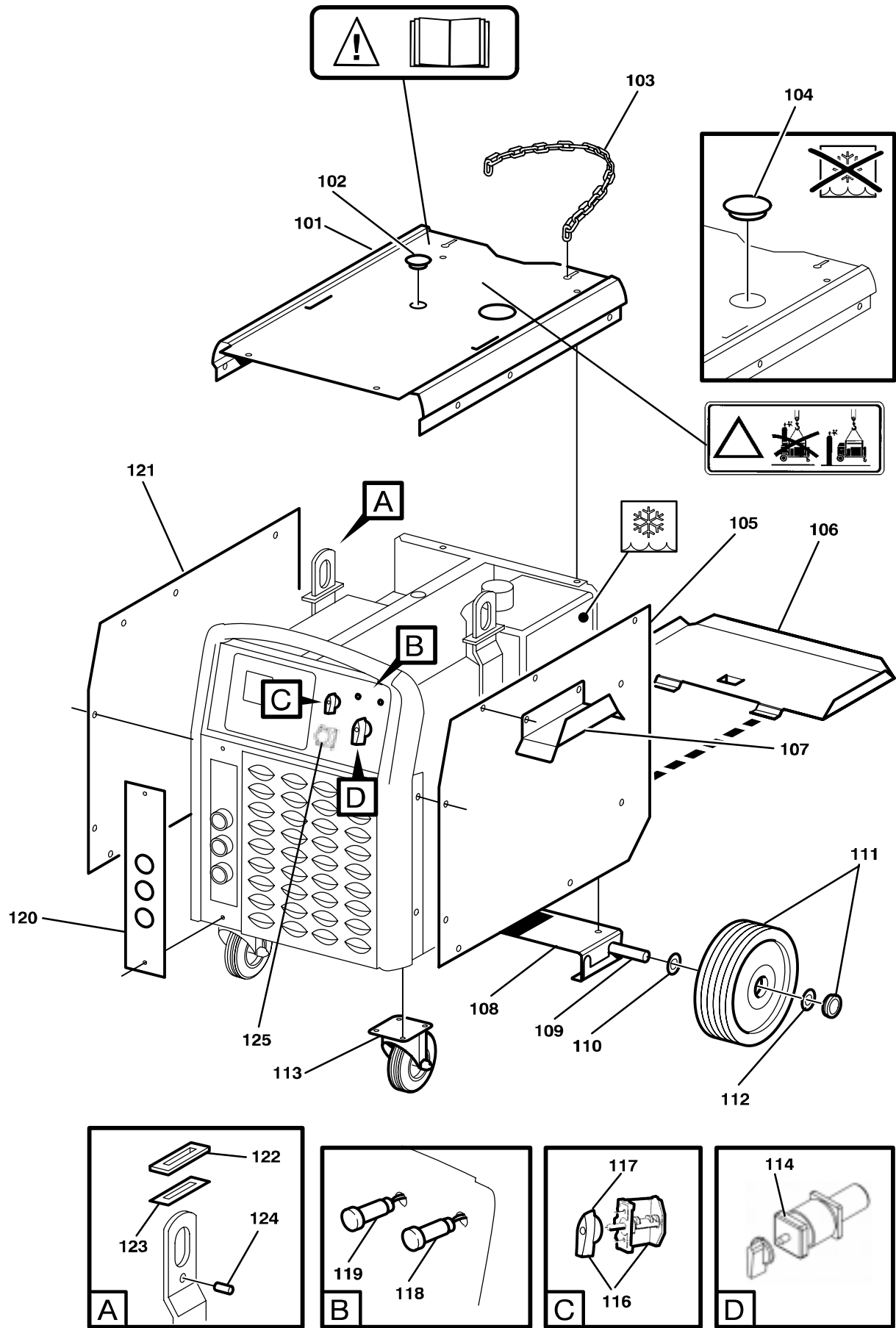
ESABMig 630tw MAGMA, ESABMig 630t MAGMA

(A) = accessory

C = component designation in the circuit diagram

Item	Qty 630tw	Qty 630t	Ordering no.	Denomination	Notes	C
101	1	1	0349 304 974	Cover		
102	1	1		Blind plug	Ø 31	
103	1	1	0321 173 001	Securing chain	L=700	
104	-	1		Blind plug	Ø 66	
105	1	1	0349 304 969	Side panel with text	Right	
106	1	1	0349 302 267	Shelf		
107	1	1		Holder (A)		
108	1	1	0349 302 268	Clamp		
109	1	1	0469 516 005	Shaft		
110	2	2		Washer	Ø 36/21 x 3mm	
111	2	2	0469 872 001	Wheel	Ø 250mm	
112	2	2	0192 859 126	Locking washer		
113	2	2	0349 304 853	Link wheel	Ø 125 mm h=150mm	
114	1	1	0366 872 001	Switch		QF1
116	1	-	0349 302 305	Switch		SA1
117	1	-	0349 302 253	Knob		
118	1	1	0369 733 007	Signal lamp	White, 42 VAC	HL1
119	1	1	0369 733 002	Signal lamp	Yellow, 42 VAC	HL2
120	1	1	0349 302 269	OKC plate	Yellow	
121	1	1	0349 304 973	Side panel with text	Left	
122	2	2	0468 797 001	Seal		
123	2	2	0468 796 001	Support plate		
124	2	2	0349 480 394	Roll pin	Ø 8x28	
125	1	1	0368 544 003	Socket	12-pol	XS7

ESABMig 630tw MAGMA, ESABMig 630t MAGMA



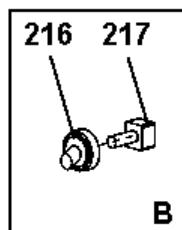
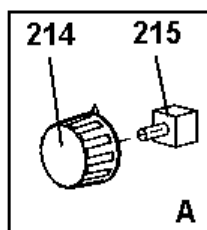
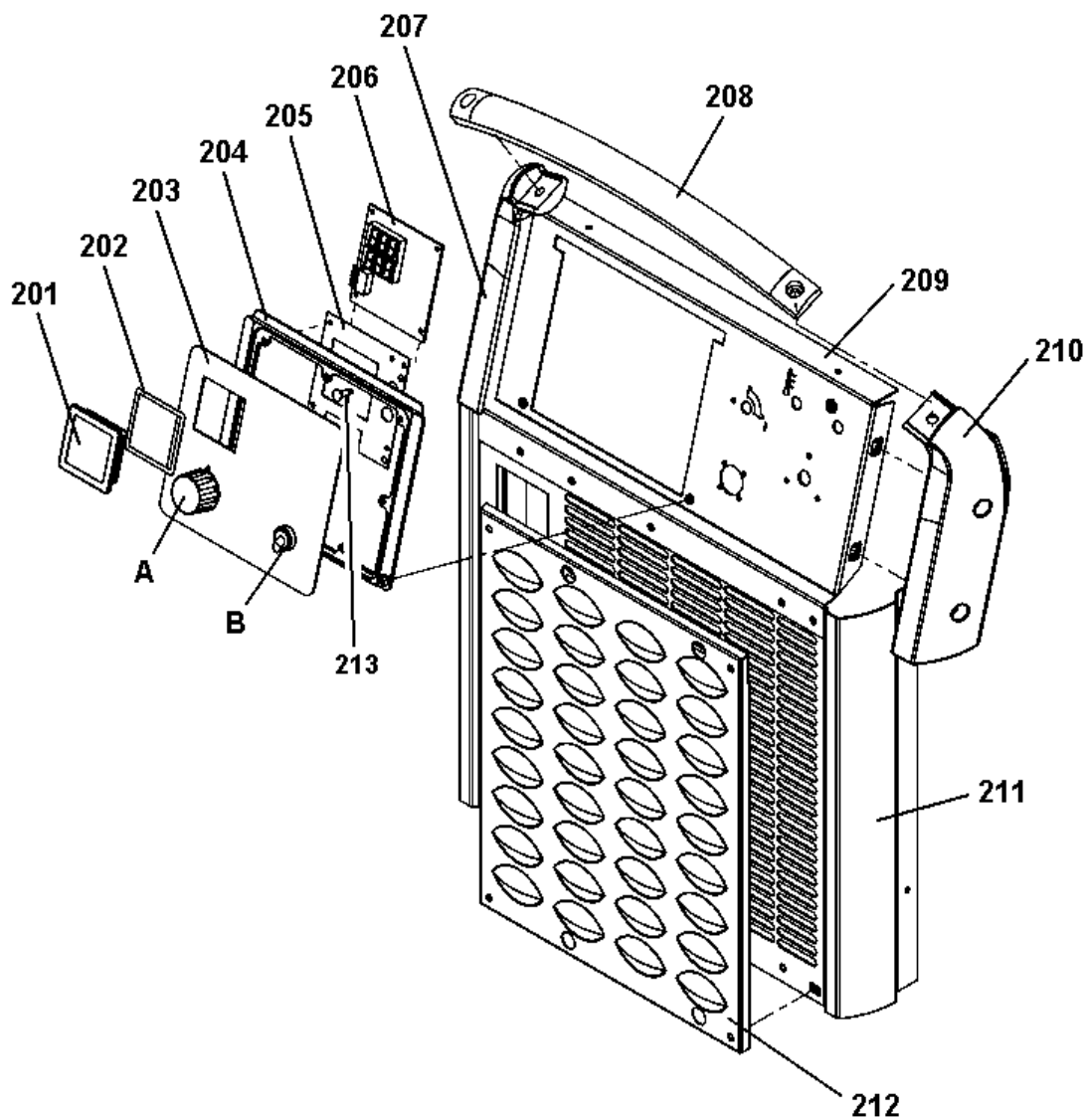
ESABMig 630tw MAGMA, ESABMig 630t MAGMA

(A) = accessory

C = component designation in the circuit diagram

Item	Qty	Ordering no.	Denomination	Notes	C
201	1	0455 172 001	Display window		
202	1	0455 174 001	Seal		
203	1	0349 304 761	Control panel		
204	1	0459 118 002	Protection frame		
205	1	0349 302 287	Plate		
206	1		Circuit-board (A)	see accessories	P1
207	1	0349 302 282	Left corner		
208	1	0349 302 284	Handle		
209	1	0349 304 766	Upper front panel		
210	1	0349 302 283	Right corner		
211	1	0349 302 280	Lower front panel		
212	1	0349 302 285	Grill		
213	3		Spacer	included in item 206	
214	1	0321 475 882	Knob		
215	1	0191 870 512	Potentiometer	2,5 kOm	RP2
216	1	0147 866 009	Cover rubber		
217	1	0147 866 001	Toggle switch		SA2

ESABMig 630tw MAGMA, ESABMig 630t MAGMA



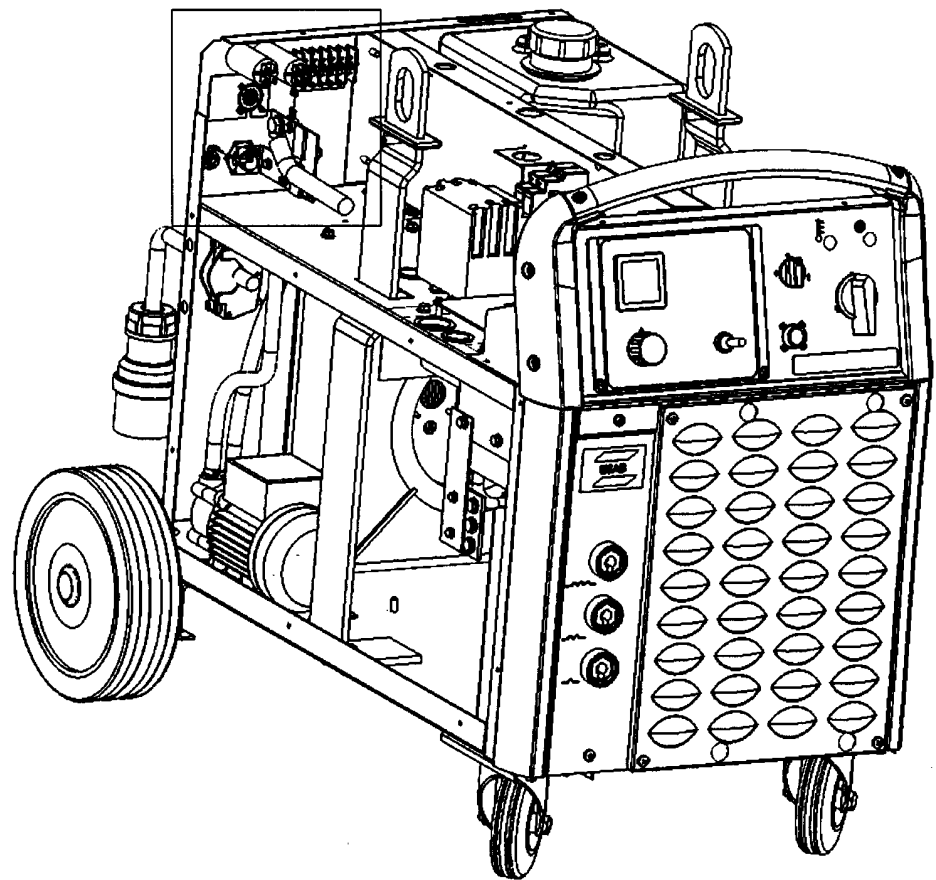
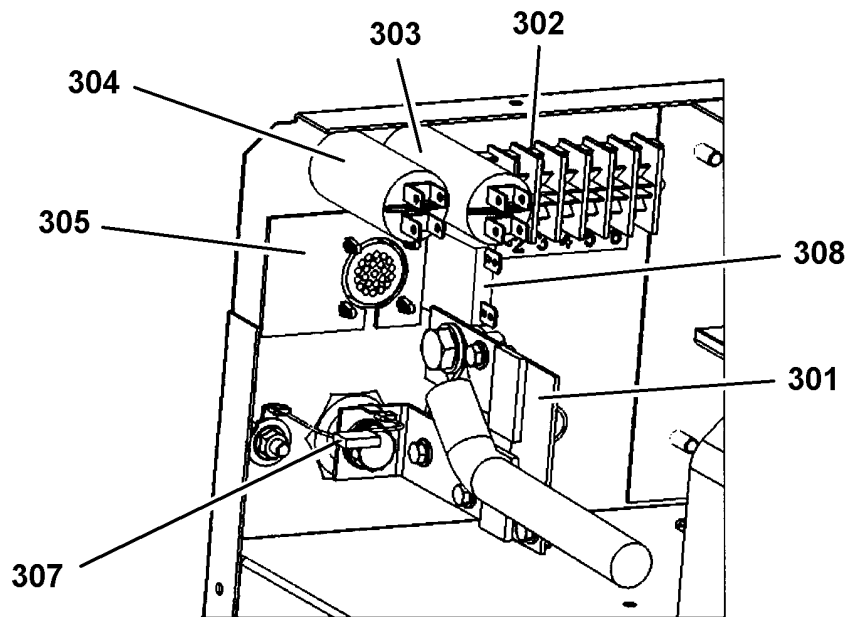
ESABMig 630tw MAGMA, ESABMig 630t MAGMA

(A) = accessory

C = component designation in the circuit diagram

Item	Qty	Ordering no.	Denomination	Notes	C
301	1	0467 119 881	Shunt	630A	RS1
302	1	0466 884 006	Connection block	6 pole	XT1
303	1	0191 085 206	Capacitor	6 μ F 400V	C6
304	1	0191 085 203	Capacitor	3 μ F 400V	C1
305	1	0349 304 992	Circuit board		AP2
307	1	0467 911 882	Capacitor	0.1 μ F 250V, with cable lugs	C3
308	1	0193 586 102	Circuit breaker	10 A	FU1

ESABMig 630tw MAGMA, ESABMig 630t MAGMA



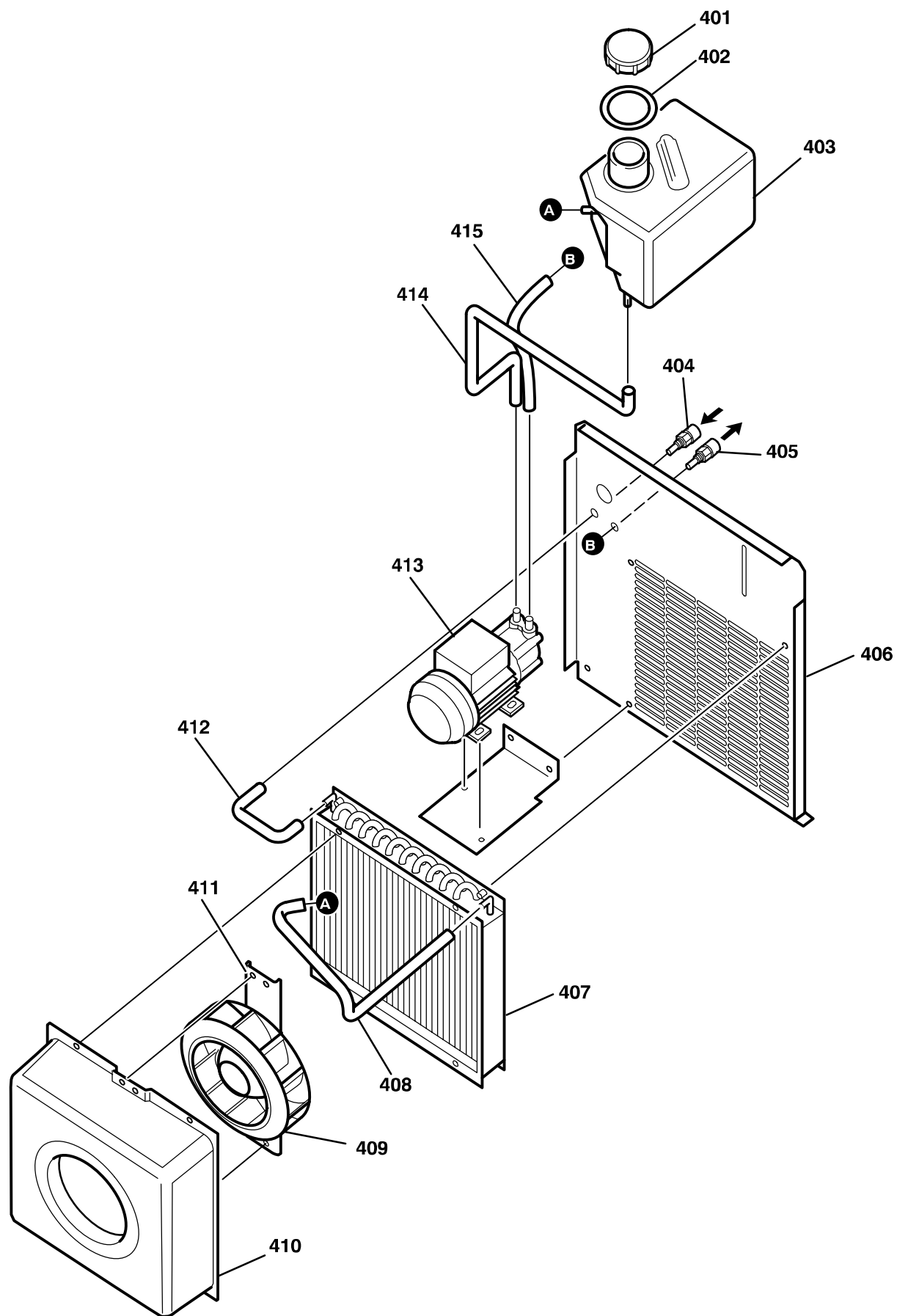
ESABMig 630tw MAGMA, ESABMig 630t MAGMA

(A) = accessory

C = component designation in the circuit diagram

Item	Qty 630tw	Qty 630t	Ordering no.	Denomination	Notes	C
401	-	1	0469 689 002	Cover		
402	-	1	0366 481 004	Seal		
403	-	1	0469 689 001	Water tank		
404	-	1	0365 803 011	Quick connection	Female, red, with non-return valve	
405	-	1	0365 803 012	Quick connection	Female, blue, with non-return valve	
406	1	1	0349 302 275	Rear panel		
407	-	1	0469 688 001	Cooler		
408	-	1	0349 302 276	Hose	L = 530 mm, to be ordered per metre	
409	1	1	0369 827 001	Fan		EV1
410	1	1	0469 893 001	Fan housing		
411	1	1	0455 165 001	Attachment		
412	-	1	0349 302 277	Hose	L = 350 mm, to be ordered per metre	
413	-	1	0459 288 001	Pump		M1
414	-	1	0349 302 279	Hose	L = 750 mm, to be ordered per metre	
415	-	1	0349 302 278	Hose	L = 450 mm, to be ordered per metre	

ESABMig 630tw MAGMA, ESABMig 630t MAGMA



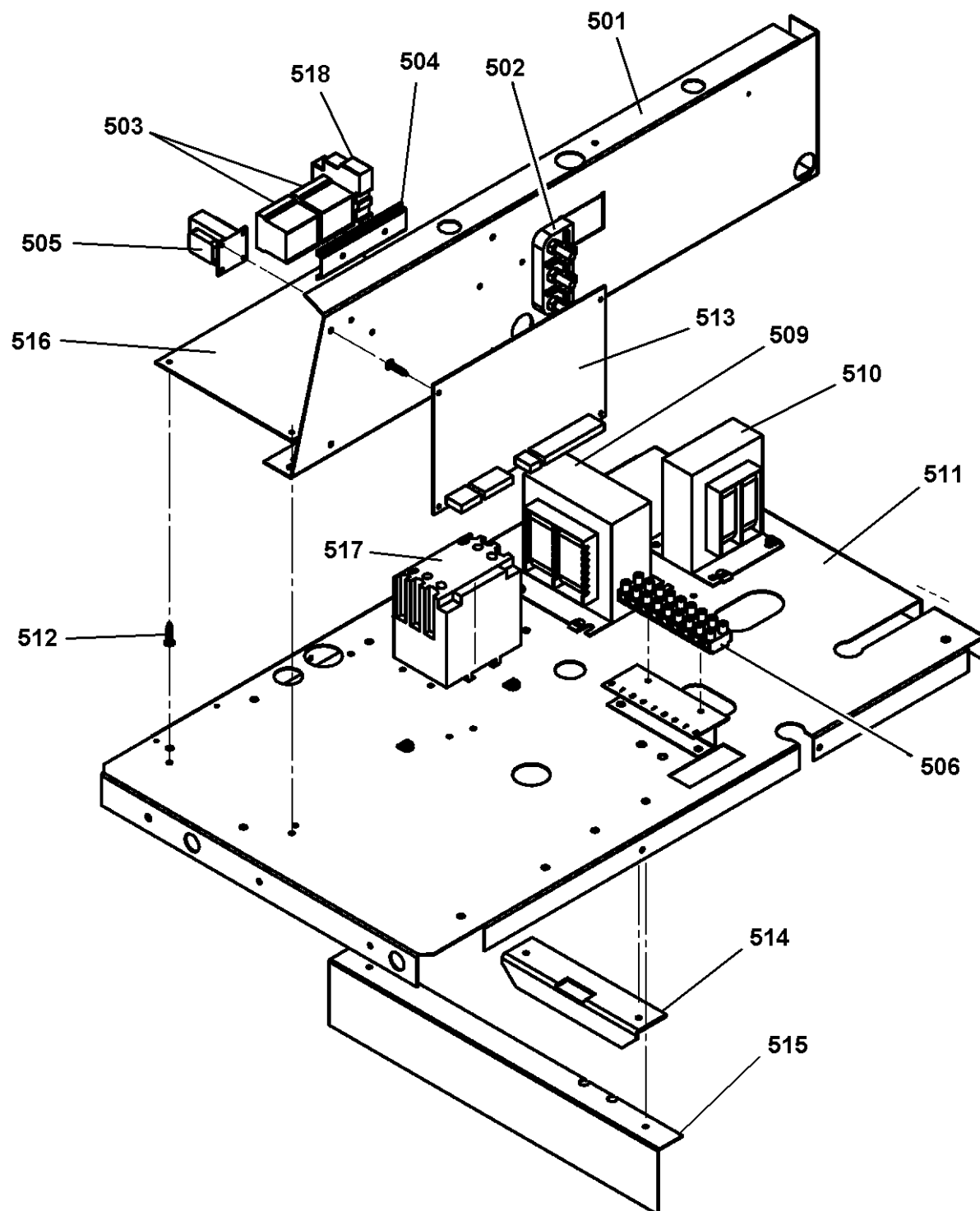
ESABMig 630tw MAGMA, ESABMig 630t MAGMA

(A) = accessory

C = component designation in the circuit diagram

Item	Qty	Ordering no.	Denomination	Notes	C
501	1	0349 304 746	Intermediate plate		
502	1	0162 772 001	Connection block		
503	2	0349 302 274	Contactactor		KM3
504	1	0349 305 499	Rail		
505	1	0319 828 001	Control transformer		TC2
506	1	0349 303 919	Terminal		XT2
509	1	0455 306 001	Control transformer		TC1
510	1		Transformer (A)	see accessories	TC3
511	1	0349 304 745	Intermediate plate		
512	1	0349 487 152	Spacer		
513	1	0481 593 884	Circuit board		AP1
514	1	0349 304 748	Bracket		
515	1	0349 304 747	Shield		
516	1	0319 876 880	Circuit board		AP3
517	1	0193 503 101	Contactactor		KM1
518	1	0193 927 001	Contactactor		KM2, KM4
519	1	0349 491 589	Rail		

ESABMig 630tw MAGMA, ESABMig 630t MAGMA



ESABMig 630tw MAGMA, ESABMig 630t MAGMA

(A) = accessory

C = component designation in the circuit diagram

Item	Qty	Ordering no.	Denomination	Notes	C
601	3	0349 306 064	Thyristor-diode module		V1-V2 V3-V4 V5-V6
602	3	0349 306 116	RC filter (suppressor)		Z1-Z3
603	1	0349 304 919	Inductor	With thermal cutouts	L1, ST1, ST2
603a		0320 655 013	Thermostat	Temp. 160°C, included inside inductor	ST1
604	1	0046 006 704	Capacitor	1uF, 400V	C2
605	1	0349 304 914	Transformer		T1
606	3	0160 362 881	Cable connector	OKC 50-95	XS3.A XS3.B XS3.C
607	1	0349 306 067	Diode bridge		V10-V12
608	1	0349 304 956	Capacitor		C4
609	1	0349 304 955	Capacitor		C5
610	2	0349 485 729	Resistor	100 Om, 50W	R1, R2
611	3	0349 306 066	Diode		V7-V9
612	1	0349 306 065	Diode		V13
613	1	0349 304 960	Resistor		R3
614	1	0349 306 120	Thermostat	Temp. 80°C	ST3
615	1	0349 304 959	Resistor cpl.		
616	1	0349 304 968	Resistor		R4

